



General Specifications

Document details:

Note: Specifications are updated from time to time to reflect changes in developmental process

General Specifications for Quark S Series			
Version	Date	Authors	Change content
V0	15-01-2024	Pradeep	First release
V1	18-09-2024	Pradeep	Specific details for the customer approval



Contact us:

Website: www.leanwatts.com

Email: pradeep@leanwatts.com

Address: Leanwatts Product Development centre

A4, NGEF Ancillary Industrial Estate, Graphite India Main Rd, Garudachar Palya, Mahadevapura, Bengaluru, Karnataka 560048



Features

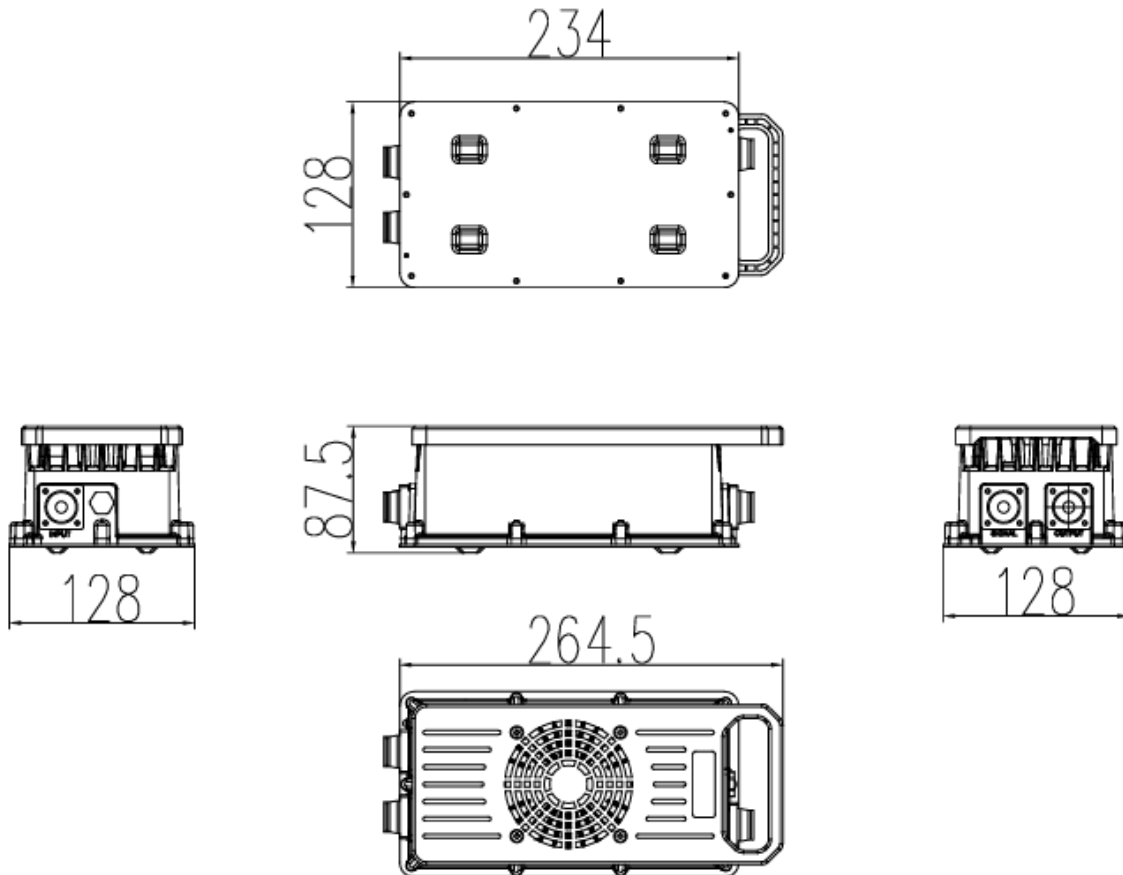
- Charger for Lithium ion Batteries
- Universal Voltage input
- Compact
- Rugged housing for All weather and environment operation
- LLC topology for efficient switching
- Multiple safety cutoffs
- Soft start

Specifications

Specification		LW-S1500-4815
Functional	Battery type	Lithium ion
	Vehicle type	Light Electric Vehicles like two wheelers, buggies etc
	Form factor	OBC
	Cooling	Forced air convection (Fan)
	Housing	Rugged Aluminium casting
	Communication	CAN 2.0b (customizable Baud rate)
	Charging profiles	CC/CV, Slave, CP etc
Dimension/ weight	Dimensions	234 x 128 x 85mm
	Weight	< 3 Kg
Electrical/ Performance	AC input Phase	Single
	AC input voltage	90-264 VAC single phase
	AC input frequency	50-60 Hz
	Power Factor	>0.98
	Peak Efficiency	> 92% @ full load, nominal conditions
	AC input max current	<8A
	DC output Peak voltage	58.4 VDC
	DC output current (Rated)	25 A
General/ Environmental	Operating Temp	-10°C to 45°C
	Storage Temperature	-20°C to 70°C
	Protection	OCP/OVP/OTP/SCP, Reverse Polarity, Thermal Derating

	IP	IP65
	IK	IK08
	Noise	<50db
	Shock	Shock proof - Potted
Cable and Connectors	AC cable length	1500mm (can be customised)
	DC cable length	1000mm (can be customised)
	PRCD	Optional
	AC connector	As per customer requirement
	DC connector	As per customer requirement
Surge and Harmonics	Harmonics	IEC 61000-3-2
Indication	LED indication	Charging - Red: Fully charged - Green, Error - Red blinking

Dimensions



3/n